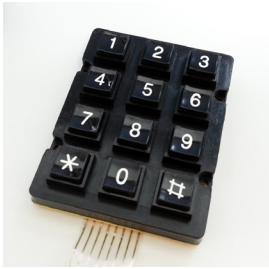


Application Note AN1061

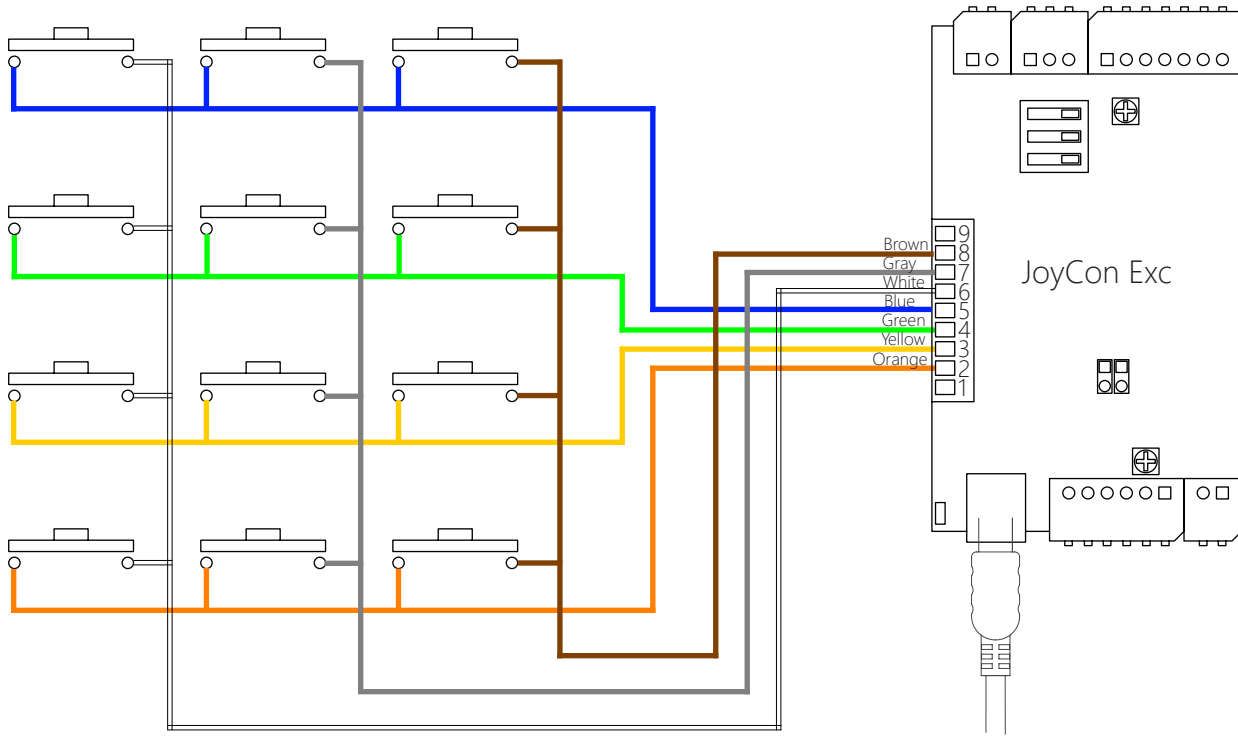
How to use 3x4 key matrix(keypad) for PC control

AUG. 8th. 2016

CarPC JoyCon Exc



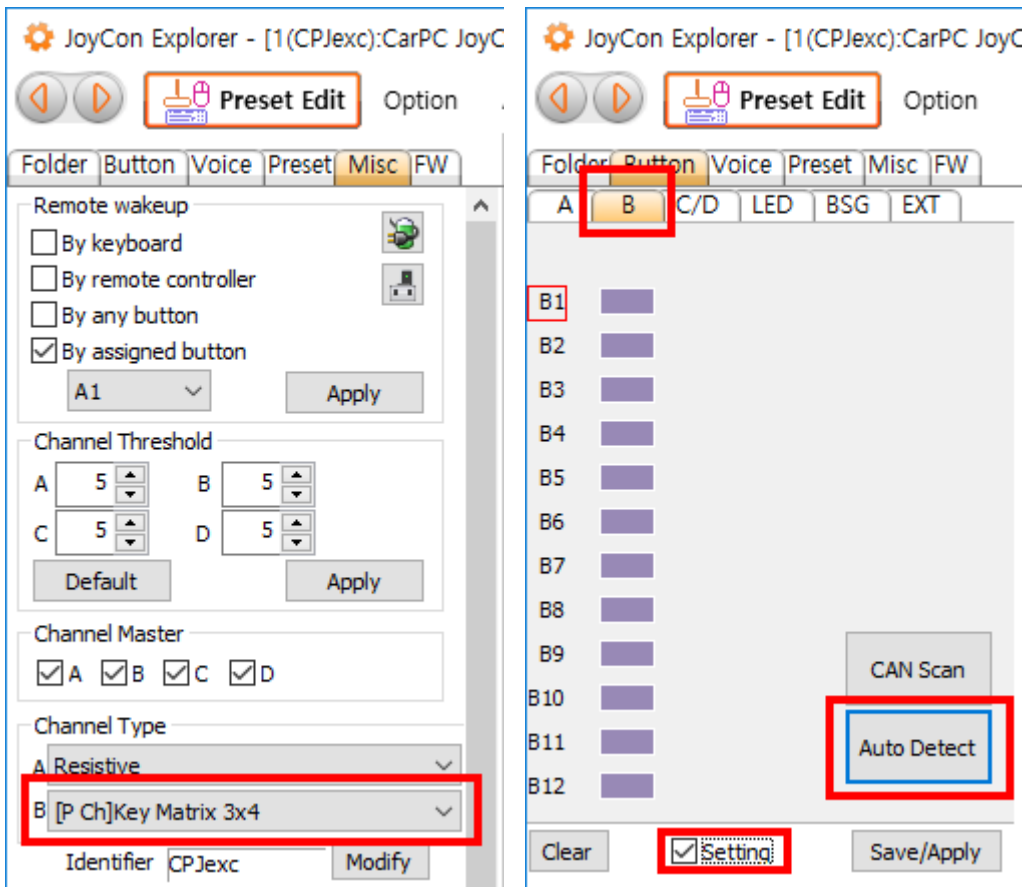
3x4 key matrix can be connected to the parallel port.
The key matrix is very simple but provides many buttons by very few wires.
The the diagram is as below.



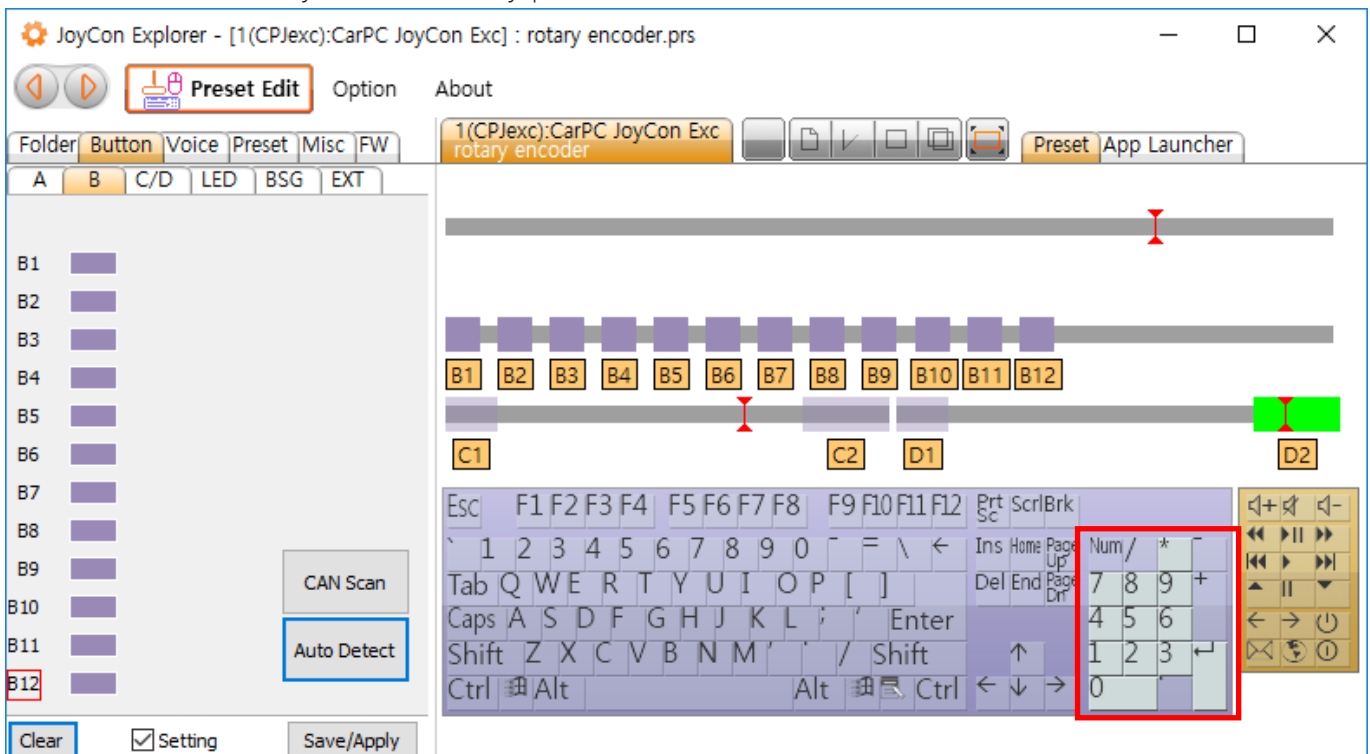
Select "[P Ch]Key Matrix(3x4)" at the MISC tab.

And perform "Auto Detect" at setting page in the Button tab.

1. Click "Auto Detect"
2. Press the buttons one by one
3. Click "Auto Detect" again to finish auto-detection



You can use the key matrix as a key pad.



You can use the Rotary Encoder movement for application launching and switching.

